

STIHL[®]

STIHL RE 88

Instruction Manual



Contents

Guide to Using this Manual	2
Safety Precautions and Working Techniques	2
Assembling the Unit	9
Fitting, removing spray lance	10
Fitting, removing high-pressure hose	11
Connecting the water supply	11
Connecting to a pressureless water supply	12
Connecting to Power Supply	13
Switching On	13
Working	14
Adding detergent	14
Tips for operation	15
Switching Off	16
After Finishing Work	16
Storing the Machine	17
First use after long periods of storage	17
Maintenance and Care	18
Maintenance	19
Minimize Wear and Avoid Damage	20
Main Parts	21
Specifications	22
Special Accessories	23
Troubleshooting	25
Maintenance and Repairs	27
Disposal	27
EC Declaration of Conformity	27

Dear Customer,

Thank you for choosing a quality engineered STIHL product.

It has been built using modern production techniques and comprehensive quality assurance. Every effort has been made to ensure your satisfaction and troublefree use of the product.

Please contact your dealer or our sales company if you have any queries concerning this product.

Your



Dr. Nikolas Stihl



RE 88

This instruction manual is protected by copyright. All rights reserved, especially the rights to reproduce, translate and process with electronic systems.

Guide to Using this Manual

Pictograms

All the pictograms attached to the machine are shown and explained in this manual.

Symbols in text



WARNING

Warning where there is a risk of an accident or personal injury or serious damage to property.



NOTICE

Caution where there is a risk of damaging the machine or its individual components.

Engineering improvements

STIHL's philosophy is to continually improve all of its products. For this reason we may modify the design, engineering and appearance of our products periodically.

Therefore, some changes, modifications and improvements may not be covered in this manual.

Safety Precautions and Working Techniques



Special safety precautions must be observed when using this machine because it uses electrical power.



It is important you read and understand the Instruction Manual before first use and keep the manual in a safe place for future reference.



Non-observance of the Instruction Manual may result in serious or even fatal injury.

! WARNING

- Children or youngsters should never be allowed to use the machine. Supervise children to ensure that they do not play with the machine.
- The machine should only be provided or loaned to people familiar with this model and its operation. The instruction manual should always be handed over with the machine.
- Do not use the machine if anyone not wearing protective clothing is in the working area.
- Before starting any work on the machine, e. g., cleaning, servicing, replacement of parts – **unplug the power plug!**
- Spray (aerosols) may form when operating a high-pressure cleaner. Breathing in the spray can be harmful to health. To decide what measures should be taken for protection against sprays containing water, before starting work a risk

assessment should be made according to the surface to be cleaned and the surroundings.

Respiratory masks of class FFP2 or higher provide suitable protection against sprays containing water.

Comply with national safety regulations, e.g. issued by employers' liability insurance associations, social security institutions, occupational safety and health authorities or other organizations.

When the machine is not in use, shut it off so that it does not endanger others. Ensure that the machine cannot be used without authorization; unplug the power plug.

The machine may only be used by persons who have been duly trained to use and handle it or who can demonstrate that they can operate the machine safely.

The machine can be used by persons with limited physical, sensory or mental capacity or with little experience and know-how as long as they are supervised and have been instructed on how to handle

the machine safely and understand the associated risks.

The user is responsible for avoiding accidents or injury to third parties or damage to their property.

If you have not used this machine model before: Have your STIHL dealer or another expert show you how to use it safely.

In some countries, operation of machines that emit noise may be restricted by municipal regulations. Observe national regulations.

Always check that the machine is in good working order before starting work. Pay particular attention to the connecting cord, power plug, high-pressure hose, spray attachment and safety mechanisms.

Never operate the machine with a defective high-pressure hose – ensure that it is replaced immediately.

The machine may only be used when all parts are in perfect working order.

The high-pressure hose must not be driven over, pulled, buckled or twisted.

Do not use the high-pressure hose or connecting cord to pull or transport the machine.

The high-pressure hose must be approved for the permissible excess pressure of the machine.

The permissible excess pressure, the maximum permitted temperature and the date of manufacture are stated on the cladding of the high-pressure hose. The permissible pressure and date of manufacture are specified on the fittings.

Accessories and Spare Parts

WARNING

- High-pressure hoses, fittings and couplings are important for machine safety. Only high-pressure hoses, fittings, couplings and other accessories which have been approved by STIHL for this machine or technically equivalent parts may be mounted on the machine. If you have

any questions in this respect, consult a servicing dealer. Use only high-quality accessories. Otherwise, there may be a risk of accidents or damage to the unit.

- STIHL recommends the use of genuine STIHL parts and accessories. These have been optimized for the product and the user's requirements.

Do not modify the machine – otherwise the safety may be endangered. STIHL excludes all liability for personal injury and damage to property caused by using unauthorized attachments.

Physical suitability

The machine may only be operated by people who are rested, in good physical condition and mental health. If you have any condition that might be aggravated by strenuous work, check with your doctor before operating the machine.

Anyone who has consumed alcohol, medicines affecting their ability to react or drugs must not operate the machine.

Areas of application

The high-pressure cleaner can be used to clean surfaces, motor vehicles, machines, tanks, facades or stables and to remove rust without dust or sparks.

Other uses are not permitted and may lead to accidents or damage to the machine.

Do not operate the machine at temperatures near or below 0 °C (32 °F).

Clothing and equipment

Wear shoes with non-slip soles.

WARNING



To reduce the risk of eye injuries, wear tight-fitting safety goggles conforming to standard EN 166. Make sure that the safety goggles fit correctly.

Wear protective clothing. STIHL recommends that a boiler suit be worn in order to reduce the risk of injury due to accidental exposure to the high-pressure jet.

Transport

When transporting the machine in and on vehicles:

- Secure the high-pressure cleaner in accordance with the regulations applicable in the country so that it cannot topple over or be damaged.
- Empty the detergent tank and secure it so that it cannot tip over.

Antifreeze is recommended if the machine and accessories are to be transported at temperatures near or below 0 °C (32 °F) - see "Storage".

Detergents

! WARNING

- The machine was designed for use with the detergents supplied or recommended by the manufacturer.
- Use only detergents that are approved for use with high-pressure cleaners. Use of unsuitable detergents can cause damage to health, as well as to the machine and the object to be cleaned. If you have any questions in this respect, consult a servicing dealer.

- Always use detergent in the specified dosage – follow the corresponding instructions for use of the detergent.
- Chemical detergents may contain physiologically harmful (toxic, caustic, irritant), flammable or explosive substances. In the event of skin or eye contact with detergent, flush the affected body parts with plenty of clean water immediately. If detergent is swallowed, seek medical attention immediately. **Note the manufacturer's safety data sheets!**

Before starting work



Do not connect the high-pressure cleaner directly to the drinking water main.

Only connect the high-pressure cleaner to the drinking water main in conjunction with a back flow preventer – see "Special accessories".

! WARNING

- If drinking water has passed through the back flow preventer, it can no longer be regarded as drinking water.

Do not use the machine with dirty water.

If there is a risk that dirty water will occur (e. g., flowing sand), an appropriate water filter must be used.

Inspect the high-pressure cleaner

! WARNING

- The high-pressure cleaner should only be used if it is in full working order and undamaged – **risk of accident!**
- It must be possible to move the switch to the 0 position easily
- The switch must be in the 0 position
- Do not use the machine with a damaged high-pressure hose, spray attachment or safety devices

English

- High-pressure hose and spray attachment in good condition (clean, moving easily) and correctly assembled
- For good control of the machine, the handles should be clean and dry with no oil or dirt on them
- Never attempt to modify the controls or safety devices in any way
- Set up the machine so that it cannot slip or tip over. Only operate the machine on stable and level ground

Electrical connection

WARNING

Minimize the risk of electrical shock:

- Voltage and frequency of the machine (see rating plate) must match the voltage and frequency of the mains supply
- Examine the connecting cord, power plug and extension cord for damage. Do not use the machine with a damaged connecting cord, extension cord or damaged power plug
- Only connect the machine to a correctly installed power socket
- The insulation on the connecting cord and any extension cord, the plug and the coupling must be fully intact
- Never touch the power plug, connecting cord and extension cord and electrical plug connections with wet hands

WARNING

Route the connecting cord and extension cord properly:

- Observe the minimum cross-section of the individual cords – see "Connecting the machine to the power supply"
- Route and mark the power cord so that it cannot become damaged and no one is endangered – **danger of stumbling!**
- Use of unsuitable extension cords can be dangerous. Use only extension cords that are approved for outdoor use and are correspondingly marked and have a sufficient cross-section
- The connector and coupling of the extension cord must be waterproof and they must not lie in water
- It is advisable to keep the plug connection at least 60 mm above the ground/floor, e.g. by using a cable drum

- don't let the cord rub against edges or pointed or sharp objects
- don't squeeze the cord under doors or windows
- if cords become snarled – unplug the power plug and unsnarl the cord
- Always unroll the power cord from the cable drum completely to avoid risk of fire due to overheating.

During operation

! WARNING

- Never draw in fluids containing solvents or undiluted acids and solvents (e. g., gasoline, heating oil, paint thinner or acetone). These substances damage the materials used in the machine. The spray is highly combustible, explosive and toxic.



The plug must be disconnected immediately if the cord is damaged – **danger of electrocution!**



Never direct the high-pressure jet or water hose against the machine itself or against other electrical appliances – **danger of short-circuiting!**



Never direct the high-pressure jet or water hose against electrical equipment, connections and power cords – **danger of short-circuiting!**



Never direct the high-pressure jet against yourself or other people, not even to clean clothing or shoes – **risk of injury!**

Ensure you always have a firm and safe footing.

The machine may only be operated in an upright position.

Beware of **slipping** on ice, water, snow, slopes or uneven ground!

Keep the high-pressure cleaner as far away as possible from the object being cleaned.

Do not cover the machine. Ensure adequate motor ventilation.

Do not direct the high-pressure jet against animals.

Do not direct the high-pressure jet onto places you cannot see.

Keep children, animals and bystanders at a safe distance.

Hazardous substances (e. g. asbestos or oil) must not be allowed to escape into the environment unchecked when working with the machine. The applicable environmental regulations must be observed without fail.

Surfaces of asbestos cement must never be cleaned with a high-pressure jet. Hazardous, breathable asbestos fibers may be released in addition to the dirt. The danger is greatest when the washed surface has dried.

Delicate parts made of rubber, fabric or similar materials must not be cleaned with a

pencil jet, e. g. from the rotary nozzle. Maintain a sufficient distance between the high-pressure hose and the surface when cleaning to avoid any damage to the surface being cleaned.

The trigger on the spray gun must move easily and return automatically to its starting position when released.

Hold the spray attachment firmly with both hands in order safely to withstand the kickback force and additional torque produced when using spray attachments with an angled spray lance.

Do not buckle or loop the high-pressure hose.

Ensure that the connecting cord and the high-pressure hose are not damaged by being driven over, squashed or pulled; protect them against heat and oil.

Do not touch the connecting cord with the high-pressure jet.

If the machine is subjected to a strain for which it was not designed (e. g., heavy impact or a fall), always check that it

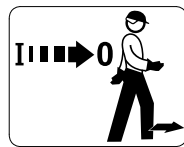
is in good condition before continuing work - refer also to the chapter "Before starting work". Also make certain that the safety mechanisms are working properly. Never continue using a machine that is not in perfect working order. In case of doubt, have the unit checked by your servicing dealer.

Before leaving the machine unattended: Switch off the machine – unplug the power plug.

Safety equipment

When the safety equipment is activated, excessive pressure is returned to the intake side of the pump via a safety valve. This safety feature has been set by the manufacturer and must not be adjusted.

After finishing work



Switch off the machine before leaving it!

- Unplug the power plug from the socket
- Disconnect water intake hose between machine and water supply

Never unplug the power plug by pulling on the connecting cord: always grip the plug itself.

Maintenance and repairs

WARNING



Before starting any work on the machine: Always disconnect the machine from the mains power supply.

- Use only high-quality spare parts. Otherwise, there may be a risk of accidents and damage to the unit. If you have any questions in this respect, consult a servicing dealer.
- To avoid risks, work on the machine (e. g. replacing a damaged power cord) may only be carried out by authorized dealers or qualified electricians.

Clean plastic parts with a cloth. Harsh detergents can damage the plastic.

Clean ventilation slots in motor housing as needed.

The machine must be serviced regularly. Do not attempt any maintenance or repair work not described in the Instruction Manual. All other work should be carried out by a servicing dealer.

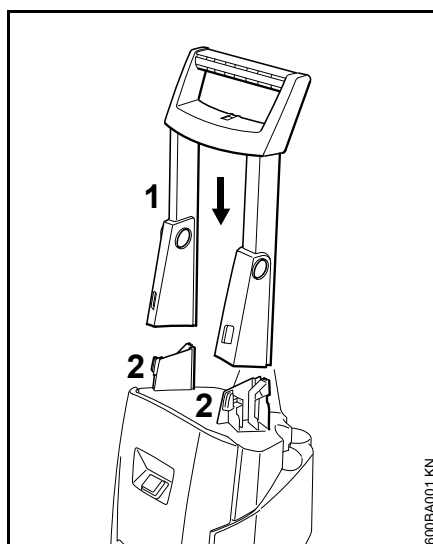
STIHL recommends the use of genuine STIHL spare parts. Such parts have been optimized for the machine and the user's requirements.

STIHL recommends that maintenance and repair work be carried out only by authorized STIHL dealers. STIHL dealers receive regular training and are supplied with technical information.

Assembling the Unit

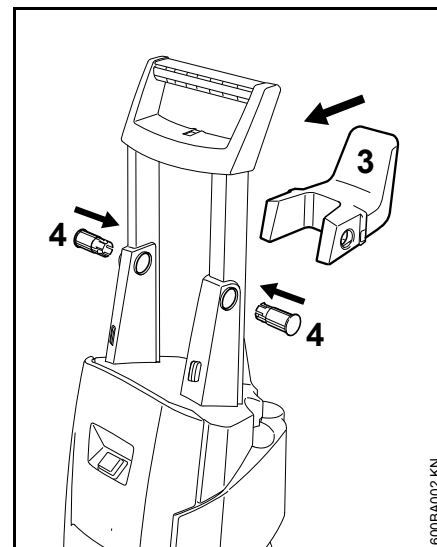
The following accessory parts must be fitted before using the machine for the first time.

Handle frame



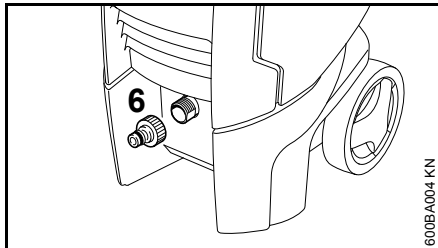
- Press the handle frame (1) onto the holders (2) from above – handle frame must snap into position

Holder for high-pressure hose



- Position the holder (3) for the high-pressure hose between the sides of the handle frame
- Press the plugs (4) through the handle frame into the mounts of the holder – the plugs must snap into place and be inserted flush in the handle frame

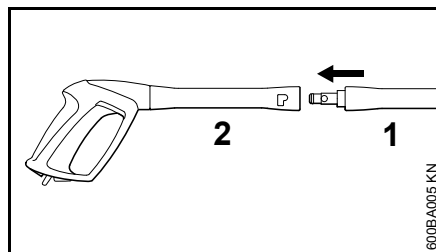
Connector on water inlet



- Attach the connector (6) to the water inlet by hand and tighten it

Fitting, removing spray lance

Spray lance

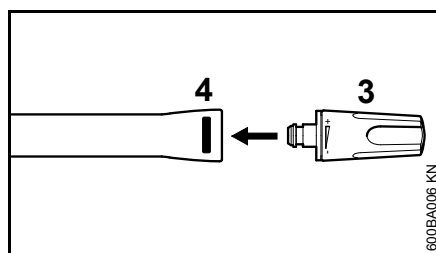


- Press the spray lance (1) into the mount on the spray gun (2), turn it by 90° so that it engages

Remove

- Press the spray lance (1) into the mount on the spray gun (2), turn it by 90° and pull it out of the mount

Nozzle



- Insert nozzle (3) in spray lance until the safety latch (4) engages – at which point the safety latch button will spring out again – the adjustable high-pressure nozzle has an anti-twist device; orient this according to the groove on the spray lance

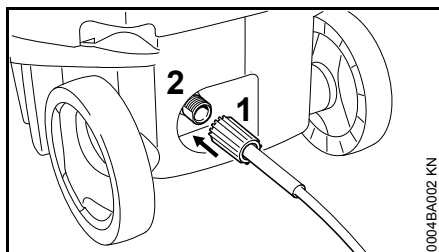
Remove

- Press the safety latch button (4) and pull out the nozzle (3)

Fitting, removing high-pressure hose

High-pressure hose on the machine

Fitting



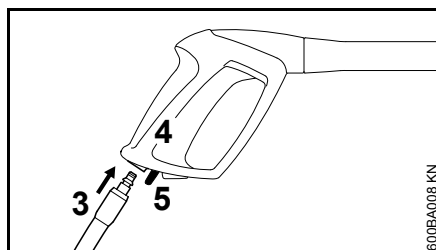
- Push high-pressure hose onto the connector (2)
- Attach union nut (1) and screw it on and tighten by hand

Removing

- Unscrew the union nut (1)
- Pull high-pressure hose off of connector (2)

High-pressure hose on the spray gun

Fitting



- Push the connector (3) of the high-pressure hose into the mount on the spray gun (4) until it engages

Removing

- Actuate the spring button (5) and pull the high-pressure hose out of the mount on the spray gun

High-pressure hose extension

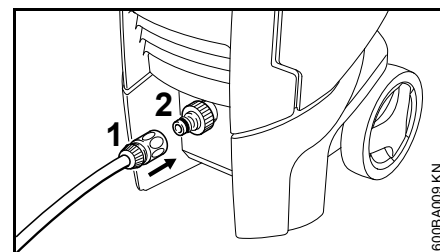
As a rule, always use only one high-pressure hose extension – see "Special accessories"

Connecting the water supply

- Connecting the water hose

Briefly rinse out the water hose before connecting it to the machine to prevent sand and other dirt particles from entering the machine and to purge the air from the water hose.

Diameter of water hose:	1/2"
Length of water hose:	min. 10 m (to absorb pressure surges)
	max. 25 m

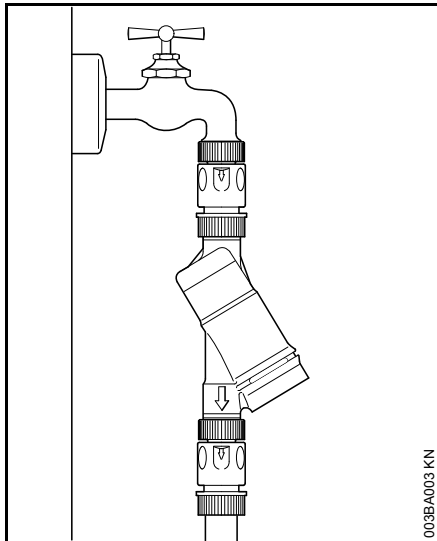


- Push the coupling (1) on to the hose connector (2)
- Turn on water supply

To vent the system:

- Actuate the spray gun (without spray lance mounted) until a uniform water jet emerges

Connection to the drinking water main



When hooking up to the drinking water main, a backflow preventer must be installed between the water tap and the hose. The design of the backflow preventer must comply with the applicable country-specific regulations.

If drinking water has passed through the backflow preventer, it can no longer be regarded as drinking water.

Follow the rules laid down by the local water supply company to prevent water flowing back from the high-pressure cleaner into the drinking water main.

Connecting to a pressureless water supply

The high-pressure cleaner can only be used in suction operation with the suction set (special accessory).



As a rule, it is advisable to use a water filter.

- Connect the machine to the pressurized water supply and start it up briefly in accordance with the Instruction Manual
- Switch off the machine
- Disconnect the spray attachment from the high-pressure hose
- Unscrew the hose connector from the water connection
- Connect the suction set to the water connection with the included connector

Always use the connector included in the suction set. The hose connectors included as standard with the high-pressure cleaner are not leakproof in suction operation and thus are not suitable for drawing in water.

- Fill the suction hose with water and immerse the suction cup of the suction hose in the water tank – **do not use dirty water**
- Hold down the high-pressure hose by hand
- Switching on the machine
- Wait until a steady jet exits the high-pressure hose

- Switch off the machine
- Connect spray attachment
- Switch on the machine with the spray gun open
- Actuate the spray gun several times briefly in order to bleed the air out of the machine as quickly as possible

Connecting to Power Supply

The voltage and frequency of the machine (see rating plate) must match the voltage and frequency of the power connection.

The minimum fuse protection of the power connection must comply with the specifications – see "Specifications".

The machine must be connected to the power supply via an earth-leakage circuit breaker to disconnect the power supply if the differential current to earth exceeds 30 mA for 30 ms.

The power connection must correspond to IEC 60364-1 and relevant national regulations.

When the machine is switched on, voltage fluctuations that occur under unfavorable mains conditions (high power line impedance) may negatively affect other connected electrical appliances. Trouble is not anticipated at power line impedances less than 0.15 Ω.

Extension cord

The design of the extension cord must at least fulfill the same features as the connecting cord on the machine. Observe the design marking (type designation) on the connecting cord.

The cores in the cord must have the following minimum cross-section depending on the mains voltage and cord length.

Cord length	Minimum cross-section
220 V – 240 V:	
Up to 20 m	1.5 mm ²
20 m to 50 m	2.5 mm ²

100 V – 127 V:	
Up to 10 m	AWG 14 / 2.0 mm ²
10 m to 30 m	AWG 12 / 3.5 mm ²

Connection to the power supply socket

Before connection to the power supply, check that the machine is switched off – see "Switching off the machine"

- Plug the power cord or extension cord into a properly installed outlet

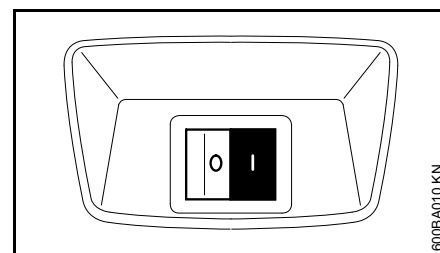
Switching On

- Turn on water supply



The machine may only be switched on when the water intake hose is connected and the water supply has been turned on. Otherwise the machine may be damaged due to lack of water.

- Completely unroll the high-pressure hose

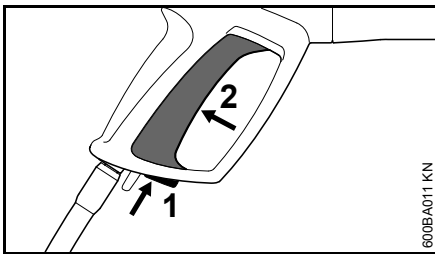


- Move the master switch to **I** – now the machine is in standby mode
- Point the spray gun at the object to be cleaned – **never at persons!**

Working

Actuating the spray gun

- Point the spray attachment at the object to be cleaned – **never at persons!**
- Point the rotary nozzle downwards when starting (if fitted)



- Press the safety latch (1) – the lever (2) is unlatched
- Squeeze the lever (2)

The motor stops when the lever is released.

Standby mode



NOTICE

The machine must not be operated in standby mode for more than 5 minutes. If work is interrupted for more than 5 min., during breaks or if the machine is left unattended, switch off the machine at the master switch – see "Switching off the machine".

High-pressure hose



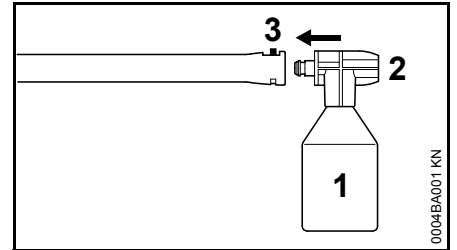
NOTICE

Do not buckle or loop the high-pressure hose.

Do not place any heavy objects on the high-pressure hose, and do not drive any vehicles over it.

Adding detergent

- Remove nozzle from spray lance – see "Fitting, removing spray lance"



- Fill the container (1) with detergent diluted as directed (approx. 0.5 liters).
- Seal the container (1) and nozzle (2)
- Engage the container with nozzle into the mount of the spray lance (3). The nozzle has an anti-twist device, orient this according to the groove on the spray lance

After finishing work

- Empty the container (1) and rinse it out
- Fill the container (1) with clean water
- Seal the container (1) and nozzle (2) and mount on the spray lance (3)
- Actuate the spray gun and flush out the residual detergent

Tips for operation

The following information and examples of application make work easier and contribute to achieving an optimum cleaning result.

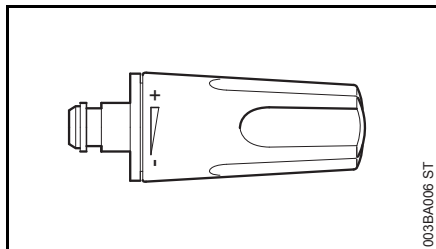
Operating pressure and water throughput

High pressure dissolves dirt better. The higher the water throughput, the easier it is to remove the dirt that has been loosened.

Clean delicate parts and surfaces (e. g. car paint, rubber) by applying low pressure or at a greater distance to avoid damage. 100 bar pressure is sufficient for cleaning vehicles.

Nozzles

Using the fan-jet nozzle



All-purpose – to clean parts and (sensitive) surfaces.

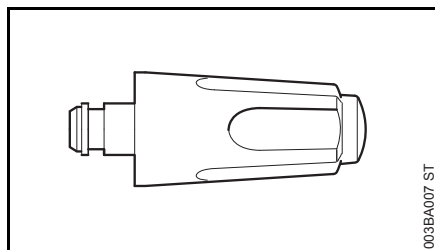
The operating pressure can be infinitely adjusted at the fan-jet nozzle.

Jet angle 15°, maximum effect at a distance of approx. 7 cm.

Applications:

- Cleaning vehicles and machines
- Cleaning floors and surfaces
- Cleaning roofs and facades

Using the rotary nozzle



Nozzle with rotating jet. To remove stubborn dirt on hard-wearing surfaces. Maximum effect at a distance of 10 cm.

Working without nozzle

The spray attachment can also be used without nozzles at low pressure, e. g., for rinsing with a large flow of water.

Cleaning very dirty surfaces

Soak extremely dirty surfaces with water before cleaning them.

Detergents

Detergents improve the cleaning effect. The corresponding exposure time (dependent on the detergent used) increases the cleaning performance.

Always use detergent in the specified dosage and follow the corresponding instructions for use of the detergent.

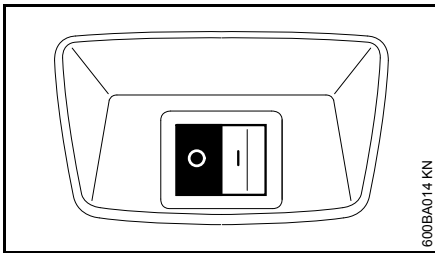
Apply the detergent starting at the bottom and working up and do not allow to dry.

Maximum effect at a distance of 1 m.

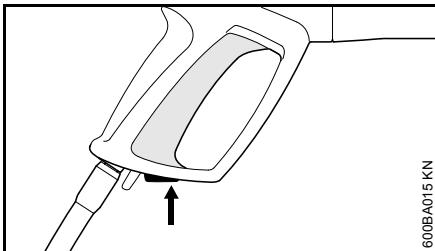
Mechanical cleaning

The additional use of e. g. rotary nozzles or washing brushes helps to remove highly adhesive layers of dirt.

Switching Off



- Move the master switch to 0 and turn off the water supply
- Actuate the spray gun until water only drips from the spray head (the machine is now depressurized)
- Release trigger

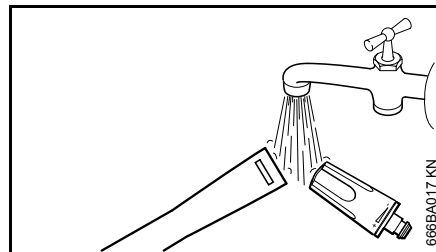


- Press the safety latch – the lever is locked to prevent inadvertent operation

After Finishing Work

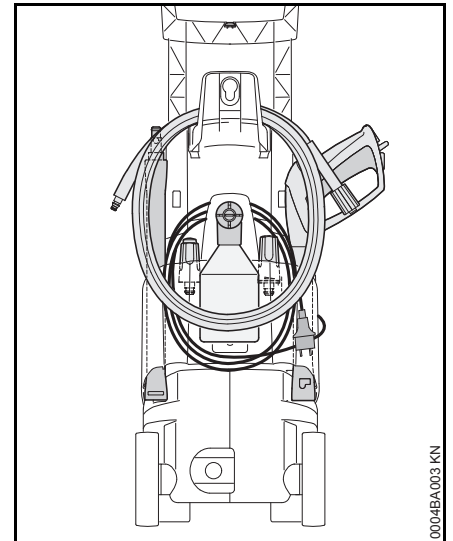
- Unplug the power plug from the socket
- Disconnect hose from the water supply and from the machine

Rinsing the nozzle



- Rinse the connection latches of the spray lance and nozzle with water so that no deposits form

Storing accessories



Storing the Machine

Store the machine in a dry room where it is protected from frost.

If protection from frost cannot be guaranteed, draw glycol-based antifreeze – like that used in motor vehicles – into the pump:

- Insert water intake hose in container with antifreeze
- Insert spray gun without spray lance in the same container
- Switch on the machine with the spray gun open
- Actuate the spray gun until a uniform jet emerges
- Keep leftover antifreeze in a sealed container

First use after long periods of storage

During long periods of storage, mineral residue from the water may be deposited in the pump. This may cause the motor to start with difficulty or not at all.

- Connect the machine to the water supply and flush thoroughly with tap water, leave the power cord unplugged while doing so
- Plug the power plug into the wall socket
- Switch on the machine with the spray gun open

Maintenance and Care

The following maintenance intervals apply in normal operating conditions. The specified intervals must be shortened accordingly for longer daily working hours. If the machine is only used occasionally, the intervals can be extended accordingly.		before starting work	at the end of work and/or daily	monthly	if damaged	as required
Complete machine	visual inspection (condition, leaks)	X				
	clean		X			X
Connectors on high-pressure hose	clean		X			X
	grease					X
Plug-type coupling of the spray lance and the coupling sleeve of the spray gun	clean	X				X
Water intake screen in the high-pressure inlet	clean			X		X
	replace				X	
High pressure nozzle	clean		X			
	replace				X	
Ventilation openings	clean					X

Maintenance

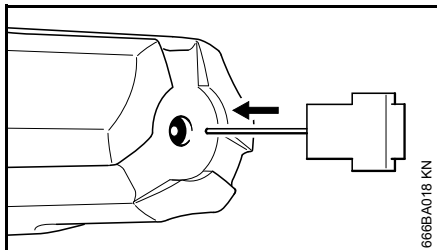
Always unplug the power cord before servicing or cleaning the machine.

In order to ensure trouble free operation, we recommend carrying out the following steps whenever the machine is used:

- Rinse the water hose, high-pressure hose, spray lance and accessories with water before fitting them
- Remove all sand and dust from the couplings
- Rinse out the spray set after use

Cleaning the high-pressure nozzle

Since the pump pressure increases if the nozzle is clogged, it must be cleaned immediately.



- Switch off the machine
- Actuate the spray gun until water merely drips from the spray head – the machine is now depressurized
- Remove the nozzle
- Clean the nozzle with the cleaning pin

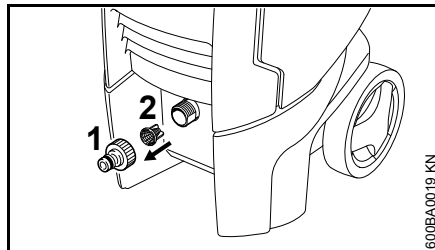
NOTICE

Always remove the nozzle before cleaning it

- Rinse the nozzle with water from the front

Cleaning the water intake screen

The water intake screen must be cleaned once per month or more often if necessary.



- Disconnect hose connector (1).
- Carefully release the strainer (2) with pliers and rinse it.
- Before refitting the strainer, ensure that it is undamaged and replace if necessary

Cleaning the ventilation openings

The machine must be kept clean so that cooling air can flow freely through the openings in the machine.

Greasing couplings

The couplings on the spray gun for connecting the high-pressure hose and the spray lance must be greased as required.

Minimize Wear and Avoid Damage

Compliance with the specifications of this owner's manual will avoid excessive wear and damage to the machine.

The machine must be used, maintained and stored as carefully as described in this owner's manual.

The user is responsible for all damage caused by failure to comply with the safety, operating and maintenance instructions. This applies in particular for:

- Product modifications not authorized by STIHL
- Use of accessories that are not approved for the machine, unsuitable or of inferior quality
- Use of the machine in a manner not in keeping with the intended use
- Use of the machine in sporting events or competitions
- Consequential damages due to continued use of a machine with defective components
- Damage due to freezing
- Damage due to improper power supply voltage
- Damage due to poor water supply (e.g., cross-section of the intake hose too small)

Maintenance work

All of the tasks listed under "Maintenance and Repairs" must be carried out periodically. If the user does

not carry out these maintenance tasks him- or herself, they should be delegated to a dealer.

STIHL recommends that maintenance and repair work be carried out only by authorized STIHL dealers. STIHL dealers receive regular training and are supplied with technical information.

If these tasks are not performed or are performed improperly, this may result in damage for which the user is responsible. Among other things, this includes:

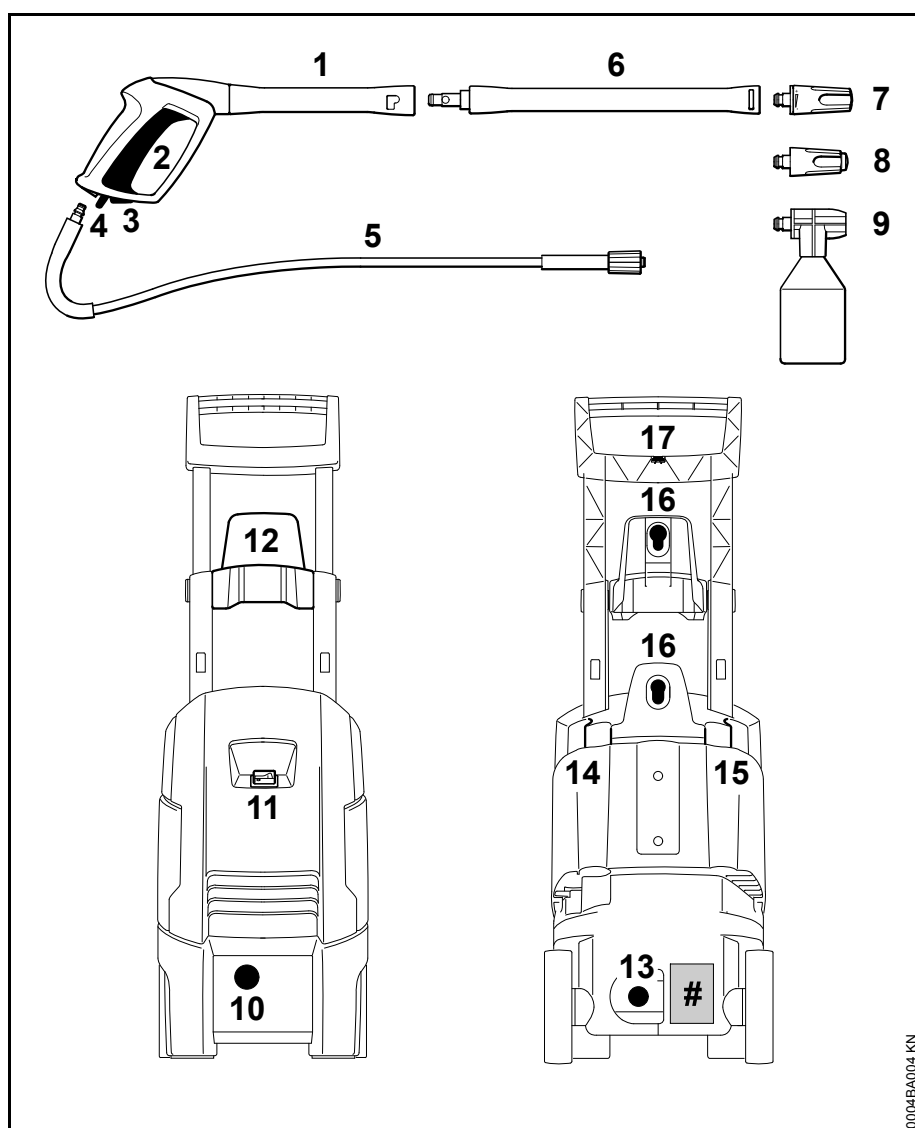
- Damage to machine components due to delayed or insufficient performance of maintenance
- Corrosion damage and other consequential damages due to improper storage
- Damage to the machine as a result of using replacement parts of inferior quality

Wear parts

Some parts of the machine are subject to normal wear and tear even when the machine is used in conformity with its intended use. These parts must be replaced in due time, depending on the nature and duration of use. These include, among others:

- High-pressure nozzles
- High-pressure hoses

Main Parts



- 1 Spray gun
- 2 Lever
- 3 Safety latch
- 4 Spring button
- 5 High-pressure hose
- 6 Spray lance
- 7 High-pressure nozzle, adjustable
- 8 Rotary nozzle
- 9 Spray set
- 10 Connector for water hose
- 11 Machine switch
- 12 Holder for high-pressure hose
- 13 High-pressure hose connection
- 14 Mount for spray lance and spray gun
- 15 Mount for nozzles
- 16 Holder for spray set and additional special accessories, e.g., surface washing brush
- 17 Cleaning pin
- # Model plate

0004BA004 KN

Specifications

Version:	RE 88	RE 88	RE 88	RE 88	RE 88	RE 88
Power supply:	230 V 1~ / 50 Hz	230 - 240 V 1~ / 50 Hz	100 V 1~ / 50 - 60 Hz	120 V 1~ / 60 Hz	127 V 1~ / 60 Hz	220 V 1~ / 60 Hz
Power output:	1.7 kW	1.7 kW	1.3 kW	1.4 kW	1.4 kW	1.7 kW
Fuse (characteristic "C" or "K"):	10 A	10 A	15 A	15 A	15 A	10 A
Protection class:	II	II	II	II	II	II
Type of protection:	IP X5	IP X5	IP X5	IP X5	IP X5	IP X5
Working pressure:	10 MPa (100 bar)	10 MPa (100 bar)	6.7 MPa (67 bar)	7.2 MPa (72 bar)	7.2 MPa (72 bar)	10 MPa (100 bar)
Max. permissible pressure:	12 MPa (120 bar)	12 MPa (120 bar)	10 MPa (100 bar)	10 MPa (100 bar)	10 MPa (100 bar)	12 MPa (120 bar)
Max. water feed pressure:	1 MPa (10 bar)	1 MPa (10 bar)	1 MPa (10 bar)	1 MPa (10 bar)	1 MPa (10 bar)	1 MPa (10 bar)
Max. water throughput:	520 l/h	520 l/h	450 l/h	460 l/h	470 l/h	520 l/h
Water throughput as per EN 60335-2-79:	350 l/h	350 l/h	320 l/h	320 l/h	330 l/h	350 l/h
Max. suction lift:	0.5 m	0.5 m	0.5 m	0.5 m	0.5 m	0.5 m
Max. water feed temperature in the pressurized water supply:	40 °C	40 °C	40 °C	40 °C	40 °C	40 °C
Max. water feed temperature in suction operation:	20 °C	20 °C	20 °C	20 °C	20 °C	20 °C
Max. kickback force:	13.7 N	13.7 N	10.4 N	10.8 N	11.2 N	13.7 N
Length approx.:	280 mm	280 mm	280 mm	280 mm	280 mm	280 mm
Width approx.:	250 mm	250 mm	250 mm	250 mm	250 mm	250 mm
Height approx.:	850 mm	850 mm	850 mm	850 mm	850 mm	850 mm
Weight (with spray attachment and high-pressure hose):	approx. 10.4 kg	approx. 10.4 kg	approx. 9.5 kg	approx. 9.5 kg	approx. 9.5 kg	approx. 10.4 kg
Length of high-pressure hose (textile braiding):	6 m, DN 06	6 m, DN 06	6 m, DN 06	6 m, DN 06	6 m, DN 06	6 m, DN 06

Sound and vibration levels

Sound pressure level L_p to EN 60335-2-79 Appendix ZAA

78 dB(A) ^{1) 2) 6)}

80 dB(A) ³⁾

78.5 dB(A) ⁴⁾

80 dB(A) ⁵⁾

Sound power level L_w to EN 60335-2-79 Appendix ZAA

92 dB(A) ^{1) 2) 6)}

94 dB(A) ^{3) 5)}

93 dB(A) ⁴⁾

Vibration level a_{HV} at the handle according to ISO 5349

< 2.5 m/s²

- 1) Version 230 V / 50 Hz
- 2) Version 230 - 240 V / 50 Hz
- 3) Version 100 V / 50-60 Hz
- 4) Version 120 V / 60 Hz
- 5) Version 127 V / 60 Hz
- 6) Version 220 V / 60 Hz

For the sound pressure level and the sound power level, the K-factor in accordance with Directive 2006/42/EC = 1.5 dB(A); for the vibration level, the K-factor in accordance with Directive 2006/42/EC = 2.0 m/s².

REACH

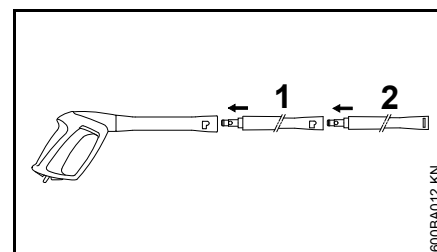
REACH is an EC regulation and stands for the Registration, Evaluation, Authorisation and Restriction of Chemical substances.

For information on compliance with the REACH regulation (EC) No. 1907/2006 see www.stihl.com/reach.

Special Accessories

Notes and restrictions for use

Spray lance extension



As a rule, only one spray lance extension (1) may be used between spray gun and standard spray lance (2).

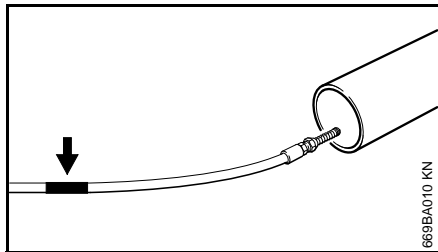
RA 101

Use the RA 101 either directly or together with the included spray lance extension on the spray gun. Do not install any additional spray lance extension.

Wet sand jet-stream appliance

Use the wet sand jet-stream appliance either directly or together with a spray lance extension on the spray gun. Do not install any additional spray lance extension.

Pipe cleaning set, 15 m



There is a mark on the cleaning hose underneath the nozzle (see arrow).

- Push the hose into the pipe to be cleaned until this mark is reached – then switch on the machine

When this mark appears as the hose is pulled out of the pipe:

- Switch off the machine
- Actuate the spray gun until the machine has been depressurized
- Pull the hose out of the pipe completely

The hose must never be pulled out of the pipe when the machine is switched on.

Flat textile hose with cassette

Low-pressure hose for connecting the high-pressure cleaner to the water supply. The cassette permits reeling in and unreeling of the flat textile hose as well as storage in a minimum of space right on the machine

High-pressure hose extensions

- 7 m, textile braided
- 7 m, steel braided
- 10 m, steel braided

Always connect only one high-pressure hose extension between machine and high-pressure hose.

Rotating washing brush

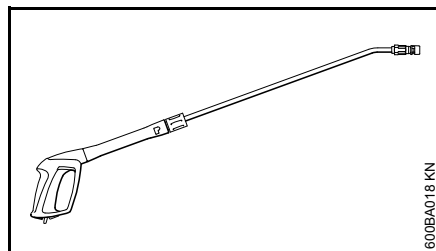
Use the rotating wash brush either directly or together with a spray lance extension on the spray gun. Do not install any additional spray lance extension.

Angled spray lance

Use the angled spray lance either directly or together with a spray lance extension on the spray gun. Do not install any additional spray lance extension.

The nozzle can be cleaned with the aid of the cleaning pin supplied.

Angled spray lance, long



Use the long, angled spray lance only directly on the spray gun. Do not install a spray lance extension.

Do not aim around blind corners behind which people may be concealed. The nozzle can be cleaned with the aid of the cleaning pin supplied.

Water filter

For filtering water from the water main, as well as for use in pressureless suction operation.

Backflow preventer

Prevents the water from flowing back from the high-pressure cleaner into the drinking water main.

Other special accessories

- Wash brush
- Cleaning kit
- Suction set
- Detergents and care products for various spheres of application

Ask your STIHL servicing dealer for current information about this and other special accessories.

Troubleshooting

Before working on the machine, unplug the power cord, turn off the water supply and actuate the spray gun until the pressure has been relieved.

Fault	Cause	Remedy
Motor does not run when switched on (hums when switched on)	Mains voltage is too low or improper	Check electrical connection Check plug, cable and switch
	Extension cord with wrong cross-section	Use an extension cord with a sufficient cross-section, see "Connecting the machine to the power supply"
	Extension cord is too long	Connect the machine without an extension cord or with a shorter one
	Mains circuit-breaker has been tripped	Switch off the machine, actuate the spray gun until water only drips out of the head, engage the safety catch, reset the mains circuit-breaker
	Spray gun not actuated	Actuate spray gun when switching on the machine
Motor constantly switches on and off	High-pressure pump or spray attachment is leaky	Have the machine checked by a servicing dealer ¹⁾
Engine stops	Machine switches off because the motor is overheating	Check whether the supply voltage and machine voltage match; let the motor cool down for at least 5 minutes
Weak, ragged, unclean jet	Nozzle fouled	Clean nozzle, see "Maintenance"
Pressure fluctuates or drops	Shortage of water	Open water tap completely Comply with permissible suction lift (suction mode only)
	High-pressure nozzle in spray head is dirty	Clean high-pressure nozzle; see "Maintenance"
	Water intake strainer in pump inflow clogged	Clean water intake strainer; see "Maintenance"
	High-pressure pump is leaky, valves are defective	Have the machine checked by a servicing dealer ¹⁾
	Nozzle clogged	Clean nozzle

English

Before working on the machine, unplug the power cord, turn off the water supply and actuate the spray gun until the pressure has been relieved.

Fault	Cause	Remedy
No supply of detergents	Detergent tank is empty	Fill detergent tank
	Detergent intake is clogged	Eliminate clog

¹⁾ STIHL recommends STIHL servicing dealers


Maintenance and Repairs

Users of this machine may only carry out the maintenance and service work described in this user manual. All other repairs must be carried out by a servicing dealer.

STIHL recommends that you have servicing and repair work carried out exclusively by an authorized STIHL servicing dealer. STIHL dealers are regularly given the opportunity to attend training courses and are supplied with the necessary technical information.

When repairing the machine, only use replacement parts which have been approved by STIHL for this power tool or are technically identical. Only use high-quality replacement parts in order to avoid the risk of accidents and damage to the machine.

STIHL recommends the use of original STIHL replacement parts.

Original STIHL parts can be identified by the STIHL part number, the **STIHL** logo and the STIHL parts symbol  (the symbol may appear alone on small parts).

Disposal



High-pressure cleaner, accessories and packaging must be collected and recycled in an environmentally beneficial manner.



Do not dispose of high-pressure cleaner, accessories and packaging as household waste.



Information concerning disposal is available from a STIHL servicing dealer.

- High-pressure cleaner, accessories and packaging must be disposed of in accordance with the regulations and in an environmentally beneficial manner.

EC Declaration of Conformity

ANDREAS STIHL AG & Co. KG
Badstr. 115
D-71336 Waiblingen
Germany

hereby confirms that

Type:	High-pressure cleaner
Make:	STIHL
Type:	RE 88
Serial identification number:	4787

comply with all relevant requirements of the Directives 2011/65/EU, 2006/42/EC, 2004/108/EC (until 19.04.2016), 2014/30/EU (from 20.04.2016) and 2000/14/EC and have been developed and built in compliance with the versions of the following standards valid at the production date:

EN ISO 12100-1, EN ISO 12100-2, EN 55014-1, EN 55014-2, EN 60335-1, EN 60335-2-79, EN 61000-3-2, EN 61000-3-3

The measured and guaranteed equivalent sound power level has been determined in accordance with Directive 2000/14/EC, Annex V, and standard ISO 3744.

Measured sound power level

90.5 dB(A) ^{1) 2) 6)}
92.8 dB(A) ^{3) 5)}
91.1 dB(A) ⁴⁾

English

Guaranteed sound power level

92 dB(A) ^{1) 2) 6)}

94 dB(A) ^{3) 5)}

93 dB(A) ⁴⁾

1) version 230 V / 50 Hz

2) version 230 - 240 V / 50 Hz

3) version 100 V / 50-60 Hz

4) version 120 V / 60 Hz

5) version 127 V / 60 Hz

6) version 220 V / 60 Hz

The technical documentation has been retained by:

ANDREAS STIHL AG & Co. KG
Produktzulassung

The year of construction of the machine is shown on the CE plate on the machine.

Waiblingen, 11 March 2016

ANDREAS STIHL AG & Co. KG

pp



Thomas Elsner

Head of Product Management and Services



0458-682-0121-A

englisch



www.stihl.com



0458-682-0121-A